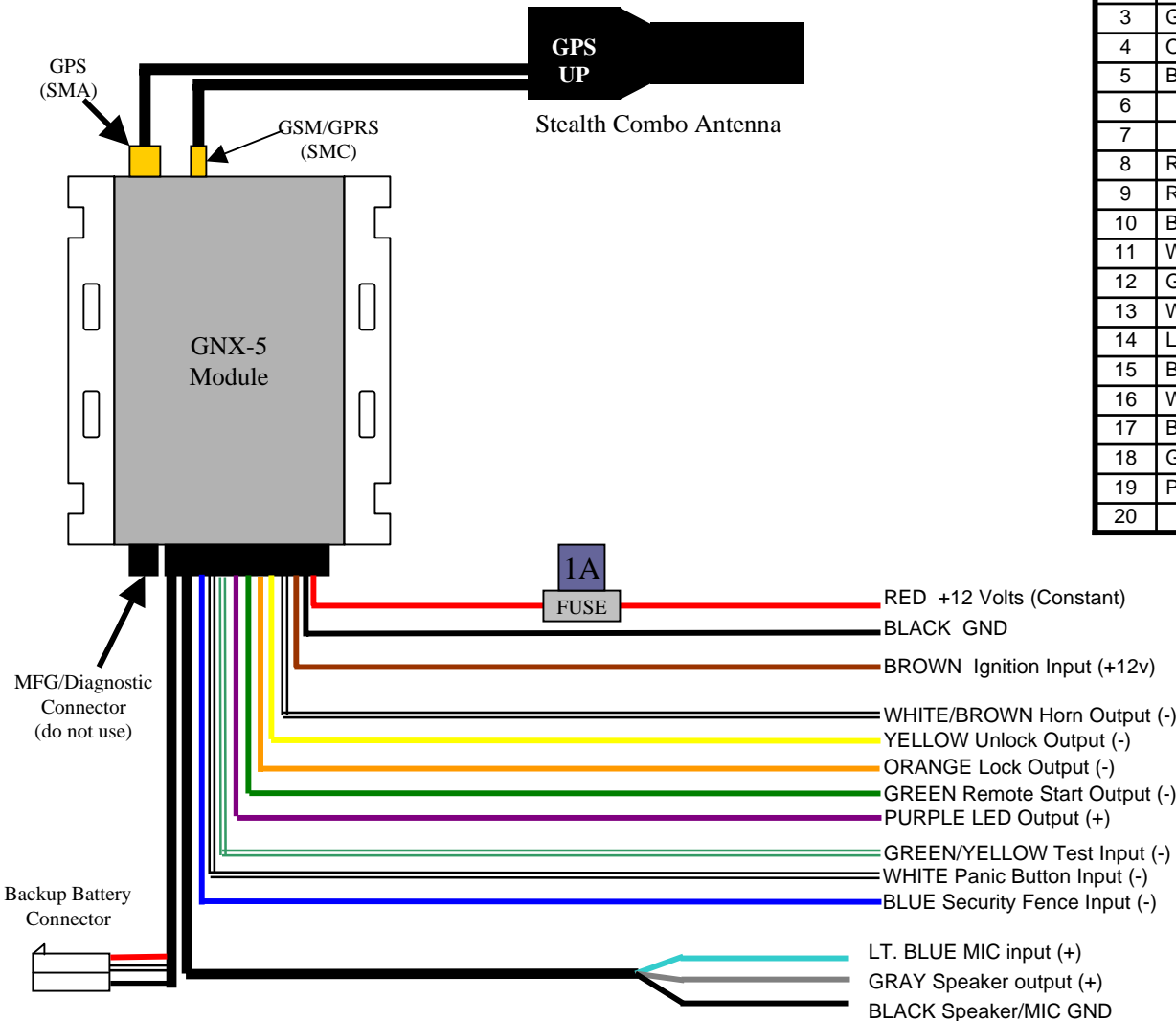
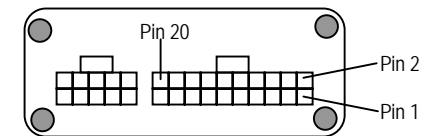


GNX-5 Wiring Schematic

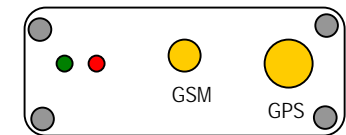
(Applies to HW Rev 530 and later)



Pin	Harness Wire Color	Description
1	Black	GND
2	Yellow	Unlock output (-) [Relay2]
3	Green	Remote Start output (-) [Relay3]
4	Orange	Lock output (-) [Relay4]
5	Blue	Security Fence Input (-) [SW3]
6		Not Used
7		Not Used
8	Red	+12Volt input (constant)
9	Red (bundle)	Backup Battery input (+12v)
10	Black	GND
11	White	Panic Button Input (-) [SW2]
12	Gray	Speaker output (+)
13	White	Backup Battery Voltage Monitor
14	Lt. Blue	Microphone Input (+)
15	Brown	Ignition Input (+)
16	White/Brown	Horn Output (-) [Relay1]
17	Black	Speaker/Mic signal GND
18	Green/Yellow	Test mode input (-) [SW1]
19	Purple	LED Output (20mA max)
20		Not Used



Front Panel



Back Panel